

INSTALLATION INSTRUCTIONS | LED Downlight Wall Wash Trims: C4323 and C6323

Note: Before attempting installation please refer to your local electrical code.

IMPORTANT SAFETY INSTRUCTIONS:

- Read Instructions before installation; save Instructions for later use.
- Product should be installed by a Qualified Electrician.
- All electrical connections must be in accordance with local and National Electrical Code (NEC) standards. If you are unfamiliar with proper electrical wiring connections, obtain the services of a qualified electrician.
- Before starting the installation, disconnect the power by turning off the circuit breaker or by removing the appropriate fuse at the fuse box. Turning the power off using the light switch is not sufficient to prevent electrical shock.
- Product must be grounded to avoid potential electric shock and any other potential hazards.
- Product must be mounted in locations and at heights and in a manner consistent with its intended use, and in compliance with National Electrical Code and local codes. Use of accessory equipment is not recommended.
- Do not mount near gas or electric heaters.
- Equipment should be mounted in locations and at heights where it will not readily be subject to tampering by unauthorized personnel.
- **WARNING: RISK OF SHOCK**
 - Turn off the power at fuse or circuit breaker box before installation or maintenance work.
 - Wear rubber soled shoes and work on a sturdy wooden or non-conductive ladder.
 - Ground the fixture to avoid potential electric shocks and to ensure reliable starting.
 - Double check all connections, making sure they are tight and correct.
- **WARNING: RISK OF FIRE**
 - Most dwellings built before 1985 have supply wire rated at 60°C
 - Supply conductors (power wires) connecting the fixture must be rated at minimum of 90°C
 - Consult a qualified electrician before installation
- Installing contrary to instructions may cause unsafe conditions.
- If the product has any visible damage do not install it.
- Avoid hazards to children: account for all parts and properly dispose of all packing materials.
- Call the Technical Support department at ConTech Lighting with any installation questions: 847.559.5500.

INSTALLATION

FIGURE 1

Remove Upper Angled Cone from the trim assembly and position in the LED Module as shown

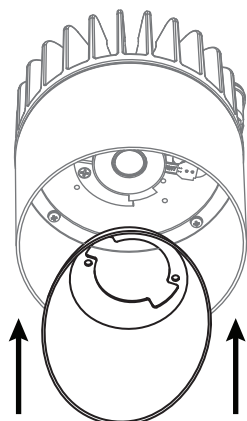
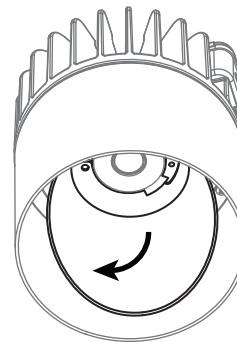


FIGURE 2

Attach Upper Angled Cone to LED Module with a quarter turn clockwise; no screws required



CONTINUED

INSTALLATION INSTRUCTIONS | LED Downlight Wall Wash Trims: C4323 and C6323

Note: Before attempting installation please refer to your local electrical code.

INSTALLATION

FIGURE 3

Complete the trim assembly by positioning the Lower Angled Reflector/Lens assembly in a mating orientation with the Upper Angled Cone

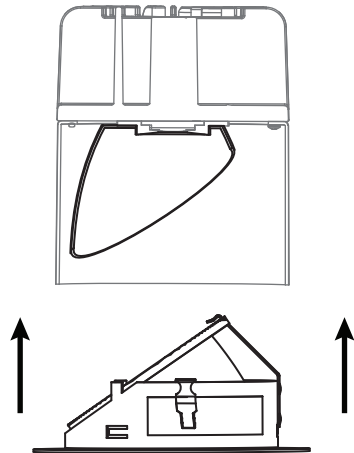
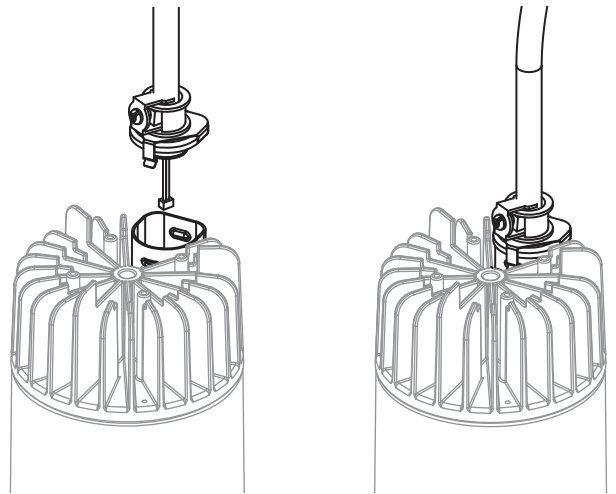


FIGURE 4

Make the LED Module electrical connection with the Connectors:

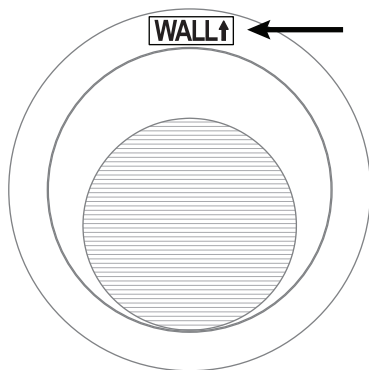


Carefully route excess wire out of the way; align Connector to Heat Sink

Secure by snapping in place

FIGURE 5

Orient Trim/LED Module making sure that the lens and the "WALL ↑" sticker is facing/pointing towards the wall



Push LED Module with assembled reflector through the hole in plaster frame until flush with the ceiling. Spring clip tension can be adjusted by bending spring clips.