

DATE

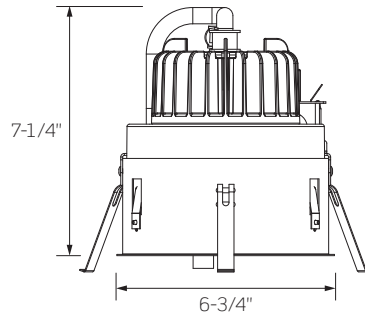
PROJECT

TYPE

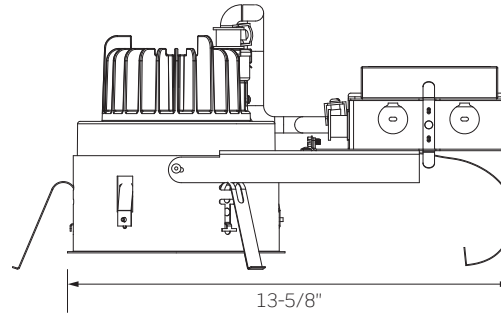
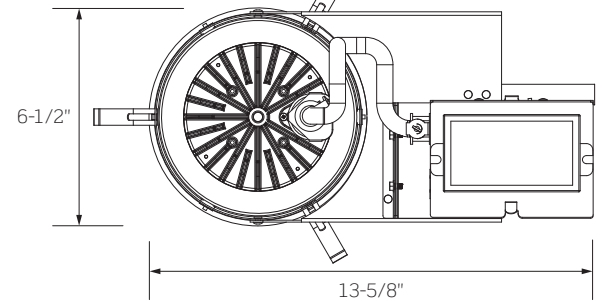
R6RM SERIES | 6-Inch Round Remodel Downlight Housing




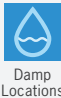

Side View



Top View



Ceiling Opening: 6-5/8"
Ceiling Thickness: 1/2" - 5/8"

	R6RM1	R6RM2	R6RM3	R6RM4	R6RM5	R6RM6
WATTAGE	12W	16W	21W	30W	38W	45W
LUMEN OUTPUT ¹	1100Lm	1600Lm	2200Lm	3000Lm	3700Lm	4100Lm
COLOR TEMPERATURE	2700K / 3000K / 3500K / 4000K					
CRI	83 (80min) / 90+					
INPUT WATTAGE	12W	16W	21W	30W	38W	45W
INPUT CURRENT (A) 120V/277V/347V	.08/.04/.03	.12/.06/.04	.17/.08/.06	.23/.11/.08	.31/.14/.11	.36/.16/.12
INPUT VOLTAGE	120VAC / 277VAC / 347VAC, 50/60Hz					
Standard Driver	120VAC / 277VAC / 347VAC, 50/60Hz				N/A	N/A
Lutron Eco-System® Driver	120VAC / 277VAC, 50/60Hz				N/A	N/A
eldoLED ECOdrive / SOLOdrive	120VAC / 277VAC, 50/60Hz					
DRIVER POWER FACTOR	> 0.90					
TOTAL HARMONIC DISTORTION (THD)	< 20%					
LISTINGS	cCSAus Certified to UL Standards; Suitable for Damp Locations					
  	ENERGY STAR® Certified:					
	– All wattage/lumen options are ENERGY STAR® Certified					
	– ENERGY STAR® Certified Trims: C6322-PL, C6322-WHT, and C6322-CL (all beam distributions); –C (Clear Lens) and –SL (Sandblasted Lens) trim options are not ENERGY STAR® Certified					
– 347V Option, Lutron and eldoLED Dimming Options are not ENERGY STAR® Certified						
WARRANTY	Five (5) year replacement after date of purchase					
SYSTEM RATING	50,000 Hours @ 70% Lumen Maintenance					

1. Approximate lumen output based on 3000K performance; see photometric test results for additional information

DATE	PROJECT	TYPE
------	---------	------

R6RM SERIES | 6-Inch Round Remodel Downlight Housing

ORDERING INFORMATION

Example Order:

Housing/LED Series	Color Temp/CRI	Electrical	Dimming
R6RM1 - 12W/1100lm	83 (80min) CRI	12 - 120V	D1 - TRIAC, ELV, 0-10V
R6RM2 - 16W/1600lm	27K - 2700K	27 - 277V	D2 ² - 347V 0-10V
R6RM3 - 21W/2200lm	30K - 3000K	34 - 347V	D4 ³ - Lutron Hi-lume 1% EcoSystem Driver with Soft-on, Fade-to-Black
R6RM4 - 30W/3000lm	35K - 3500K		D6 ⁴ - eldoLED ECOdrive, 0-10V, 1% Dimming
R6RM5 - 38W/3700lm	40K - 4000K		D7 ⁴ - eldoLED ECOdrive, DALI, 1% Dimming
R6RM6 - 45W/4100lm	90+ CRI		D8 ⁴ - eldoLED SOLOdrive, 0-10V, 0.1% Dimming
	27KC - 2700K		D9 ⁴ - eldoLED SOLOdrive, DALI, 0.1% Dimming
	30KC - 3000K		DMX ^{4,5} - eldoLED POWERdrive, DMX 0.0% Dimming
	35KC - 3500K		
	40KC - 4000K		

1. TRIAC and ELV Dimming for 120V only
2. 0-10V Dimming only dimming available for 347V option
3. Lutron Eco-System drivers are available for both 120V and 277V. Lutron Dimming options are available for Series 1 through 4 only (12W through 30W); not available for use with LED Series 5 or 6 (38W or 45W).
4. eldoLED Drivers are programmed for Linear Curve Dimming as standard; for Logarithmic Curve Dimming, consult factory
5. Verify DMX Driver and Control System compatibility with factory prior to ordering

See “Trims for 6-Inch LED Downlights” Specification Sheet for compatible Trim information and details

PRODUCT DETAILS

Construction

- Specification Grade 6-inch Round 16 Gauge Galvanized Steel Remodel Housing with Die-Cast Aluminum Heat Sink
- Requires minimum 3-inch clearance around Housing from insulation material; thermal protection provided in case of improper insulation use
- Heavy duty steel plaster ring is secured to ceiling by three (3) spring clamps. LED module/trim assembly is held in place with three (3) “trim lock” dimpled spring clips
- Quick-connect Light Engine for easy installation and removal
- Drivers are fully accessible from below the ceiling and can be easily removed
- Pre-wired Junction Box with convenient Screwdriver Pry-outs plus four (4) 1/2-inch Knockouts and one (1) 1/2-inch x 3/4-inch Concentric Pry-out
- Output over-voltage, over-current and short circuit protection
- Approved for Through Circuit Wiring: max. four (4) 12 AWG (2in/2out), wiring rated to at least 75°C

Performance Summary

- 2700K, 3000K, 3500K and 4000K CCTs; 80 CRI min., 83 typical; high 90+ CRI available
- Excellent fixture-to-fixture color consistency with a 3-step MacAdam Ellipse tolerance
- All R6 Downlights are available for non-dimming and dimming applications; for compatible Dimmers, refer to the Dimming Specification Sheet
- Flanged Specification Grade Trims available in several different styles and finishes; Trimless options cannot be used with Remodel Style Housings
- UL8750 and Class 2 Compliant; RoHS Compliant, US only

DATE

PROJECT

TYPE

R6 SERIES | 6-Inch Round Downlight Trims

FLANGED TRIM OPTIONS



C6322-CLR
Clear Specular Reflector



C6322 Series
Specification Grade Reflector
5-3/4-Inch ID, 7-Inch OD
4-1/4-Inch Height

Specification Grade Reflector. For Wet Location approved trim, add “-C” for Clear Lens or “-SL” for Sandblast Lens after finish code.



C6323-CLR
Clear Reflector

C6323 Series
Lensed Wall Wash Reflector
5-5/8-Inch ID, 7-Inch OD, 4-1/4-Inch Height

- C6322N-CLR**¹ - Clear Specular Reflector: 32° Narrow Beam
- C6322M-CLR**¹ - Clear Specular Reflector: 65° Medium Beam
- C6322W-CLR**¹ - Clear Specular Reflector: 74° Wide Beam
- C6322-PL**¹ - 59° Platinum Reflector
- C6322-PLWHE** - 59° Platinum Wheat Reflector
- C6322-WHT** - 72° White Reflector

1. Available with White Painted Flange: add -WPF to end of part number

 : These Model Options are eligible for **SpeedShip**

Trim
C6323 - Lensed Wall Wash Reflector

Finish
CLR¹ - Clear
PL¹ - Platinum
WHT - White
1. Available with White Painted Flange: add -WPF to end of part number



C6321-WHT-PL
White Reflector/
Platinum Lower Cone



C6321 Series
Two Piece Reflector with Lower Cone and Flat Lens
5-3/4-Inch ID, 7-Inch OD
4-1/4-Inch Height

Two Piece Reflector: Upper Reflector, Lower Cone. Includes one (1) LF38-CL Clear Glass Lens. Approved for Wet Locations when Glass Lens is installed.



C6327-CLR-PL
Clear Reflector/Platinum Lower Cone/Regressed Prismatic Convex Lens



C6327 Series
Two Piece Reflector: Lower Cone with Prismatic Convex Lens
5-3/4-Inch ID, 7-Inch OD
4-1/4-Inch Height

Two Piece Reflector with Prismatic Convex Lens: Upper Reflector, Lower Cone, Prismatic Convex Lens with 1-1/2-inch regress. Wet Location Listed.

Reflector
C6321-CLR - Clear
C6321-WHT - White

Lower Cone
CLR - Clear
PL - Platinum

Reflector
C6327-CLR - Clear
C6327-WHT - White

Lower Cone
CLR - Clear
PL - Platinum



C6321-WHT-B
White Reflector/Black Baffle



C6321 Baffle Series
Two Piece Reflector with Lower Baffle and Flat Lens
5-3/4-Inch ID, 7-Inch OD
4-1/4-Inch Height

Two Piece Reflector: White Upper Reflector, Black or White Lower Baffle. Includes one (1) LF38-CL Clear Glass Lens. Approved for Wet Locations when Glass Lens is installed.



C6327-CLR-P
Clear Reflector/White Lower Baffle/Regressed Prismatic Convex Lens



C6327 Baffle Series
Two Piece Reflector: Lower Baffle with Prismatic Convex Lens
5-3/4-Inch ID, 7-Inch OD
4-1/4-Inch Height

Two Piece Reflector with Prismatic Convex Lens: Upper Reflector, Lower Baffle, Prismatic Convex Lens with 1-1/2-inch regress. Wet Location Listed.

Reflector
C6321-CLR - Clear
C6321-WHT - White

Lower Baffle
B - Black
P - White

Reflector
C6327-CLR - Clear
C6327-WHT - White

Lower Baffle
B - Black
P - White

DATE

PROJECT

TYPE

R6 SERIES | 6-Inch Round Downlight Trims

TRIMLESS OPTIONS

Trimless Options require use of Mud Frame accessory (MF6, ordered separately)



CN6322-CLR
Clear Specular Reflector



CN6322 Series
Specification Grade Trimless Reflector

5-7/8-Inch ID, 6-1/4-Inch OD,
4-1/4-Inch Height

Specification Grade Reflector. For use with 1/2- to 1-inch ceiling thicknesses only. For Wet Location approved trim, add “-C” for Clear Lens or “-SL” for Sandblast Lens after finish code. **Cannot be used on Remodel Housings (R6RM) or with Slope Ceiling Adapters (RSA6L).**



CN6323-CLR
Clear Reflector

CN6323 Series

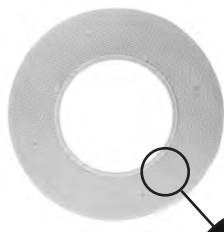
Trimless Lensed Wall Wash Reflector
5-5/8-Inch ID; 6-1/4-Inch OD

For use with 1/2- to 1-inch ceiling thicknesses only. **Cannot be used on Remodel Housings (R6RM) or with Slope Ceiling Adapters (RSA6L).**

Trim
CN6323 - Lensed Wall Wash Reflector

Finish
CLR - Clear
PL - Platinum
WHT - White

- CN6322N-CLR** - Clear Specular Reflector: 32° Narrow Beam
- CN6322M-CLR** - Clear Specular Reflector: 65° Medium Beam
- CN6322W-CLR** - Clear Specular Reflector: 74° Wide Beam
- CN6322-PL** - 59° Platinum Reflector
- CN6322-WHT** - 72° White Reflector



MF6
Round Mud Frame

Mud Frame

Required for use with trimless options

12-Inch OD

Die-cast Ring with Steel Mesh Frame. Painted white. **Required for use with trimless options.**

MF6 - 6-Inch Mud Frame

DATE

PROJECT

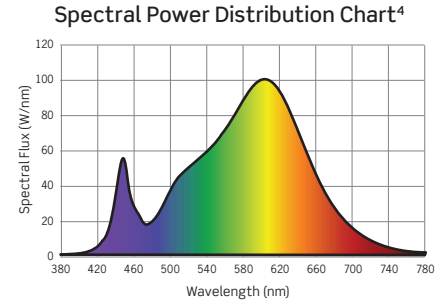
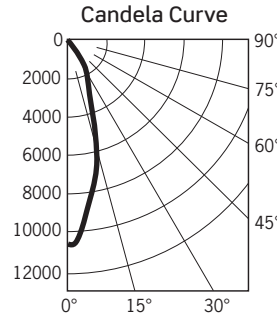
TYPE

R6 SERIES | 6-Inch Round Downlight Photometrics

R6NC630K12D / C6322N-CLR

Fixture Delivered Lumens: 4152.8
 Total Watts@120V: 45.0
 Lumens Per Watt: 92.3
 Center Beam Candle Power: 10628
 Beam Distribution: 31.5°
 Spacing Criterion: 0.53
 Color Rendering Index (CRI)¹: 83.4
 Color Temperature (CCT)²: 3065K
 Designed for 50,000 Hour Lamp Life³
 LM-63 Test No. G21070804
 LM-79 Test No. S21072002

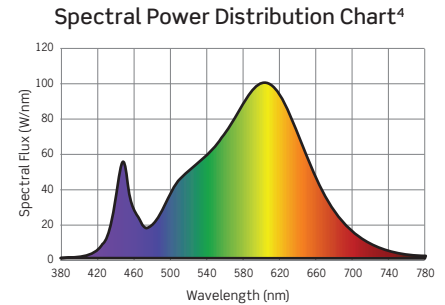
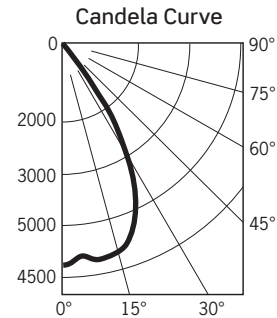
Intensity Distribution		
DISTANCE (FT.)	FOOTCANDLES (FC)	BEAM DIAMETER (FT.)
6 FT	295.2	3.4
8 FT	166.1	4.5
10 FT	106.3	5.7
12 FT	73.8	6.8
14 FT	54.2	7.9
16 FT	41.5	9.0



R6NC630K12D / C6322M-CLR

Fixture Delivered Lumens: 4069.6
 Total Watts@120V: 45.0
 Lumens Per Watt: 90.4
 Center Beam Candle Power: 4259
 Beam Distribution: 65.1°
 Spacing Criterion: 0.95
 Color Rendering Index (CRI)¹: 83.4
 Color Temperature (CCT)²: 3065K
 Designed for 50,000 Hour Lamp Life³
 LM-63 Test No. G21070803
 LM-79 Test No. S21072002

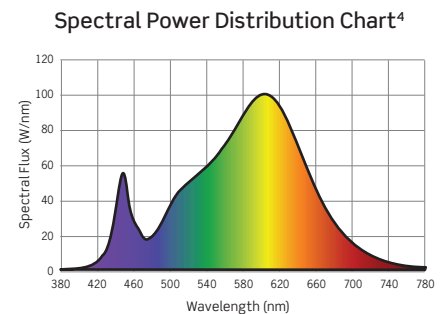
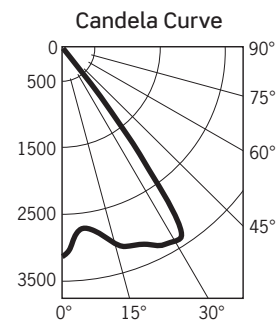
Intensity Distribution		
DISTANCE (FT.)	FOOTCANDLES (FC)	BEAM DIAMETER (FT.)
6 FT	118.3	7.7
8 FT	66.5	10.2
10 FT	42.6	12.8
12 FT	29.6	15.3
14 FT	21.7	17.9
16 FT	16.6	20.4



R6NC630K12D / C6322W-CLR

Fixture Delivered Lumens: 4197.4
 Total Watts@120V: 45.0
 Lumens Per Watt: 93.3
 Center Beam Candle Power: 3135
 Beam Distribution: 73.6°
 Spacing Criterion: 1.1
 Color Rendering Index (CRI)¹: 83.4
 Color Temperature (CCT)²: 3065K
 Designed for 50,000 Hour Lamp Life³
 LM-63 Test No. G21070806
 LM-79 Test No. S21072002

Intensity Distribution		
DISTANCE (FT.)	FOOTCANDLES (FC)	BEAM DIAMETER (FT.)
6 FT	87.1	9.0
8 FT	49.0	12.0
10 FT	31.3	15.0
12 FT	21.8	17.9
14 FT	16.0	20.9
16 FT	12.2	23.9



1. Accuracy of Rendering Colors 2. Color Appearance of Light Source 3. Dependent on Surrounding Temperatures 4. Colors Present within the Light Source

PHOTOMETRIC MULTIPLICATION FACTORS

Lumen output values fluctuate based on Color Temperature, Luminaire Wattage/Output and Trim Selection. To estimate lumen output of these various options, multiply 3000K results by the following:

CCT MULTIPLIERS			OUTPUT MULTIPLIERS					TRIM MULTIPLIERS	
CCT	STD CRI	HIGH CRI	12W/SERIES 1	16W/SERIES 2	21W/SERIES 3	30W/SERIES 4	38W/SERIES 5	C6322-PL	C6322-WHT
2700K	0.94	0.70	0.28	0.39	0.54	0.72	0.88	1.02	0.92
3000K	N/A	0.75							
3500K	1.0	0.81							
4000K	1.0	0.87							

DATE

PROJECT

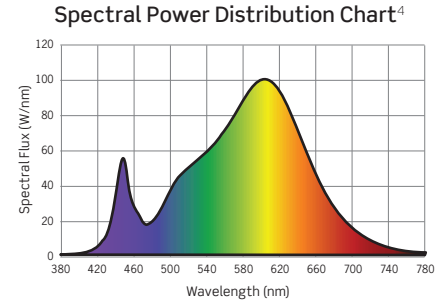
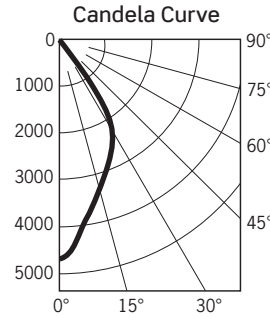
TYPE

R6 SERIES | 6-Inch Round Downlight Photometrics

R6NC630K12D / C6322-PL

Fixture Delivered Lumens: 4141.0
 Total Watts@120V: 45.0
 Lumens Per Watt: 92.0
 Center Beam Candle Power: 5337
 Beam Distribution: 58.5°
 Spacing Criterion: 0.91
 Color Rendering Index (CRI)¹: 83.4
 Color Temperature (CCT)²: 3065K
 Designed for 50,000 Hour Lamp Life³
 LM-63 Test No. G21070805
 LM-79 Test No. S21072002

DISTANCE (FT.)	FOOTCANDLES (FC)	BEAM DIAMETER (FT.)
6 FT	148.3	6.7
8 FT	83.4	9.0
10 FT	53.4	11.2
12 FT	37.1	13.5
14 FT	27.2	15.7
16 FT	20.8	17.9



1. Accuracy of Rendering Colors
2. Color Appearance of Light Source
3. Dependent on Surrounding Temperatures
4. Colors Present within the Light Source

PHOTOMETRIC MULTIPLICATION FACTORS

Lumen output values fluctuate based on Color Temperature, Luminaire Wattage/Output and Trim Selection. To estimate lumen output of these various options, multiply 3000K results by the following:

CCT MULTIPLIERS			OUTPUT MULTIPLIERS					TRIM MULTIPLIERS	
CCT	STD CRI	HIGH CRI	12W/SERIES 1	16W/SERIES 2	21W/SERIES 3	30W/SERIES 4	38W/SERIES 5	C6322-PL	C6322-WHT
2700K	0.94	0.70	0.28	0.39	0.54	0.72	0.88	1.02	0.92
3000K	N/A	0.75							
3500K	1.0	0.81							
4000K	1.0	0.87							

DATE

PROJECT

TYPE

R6 SERIES | 6-Inch Round Downlight Photometrics

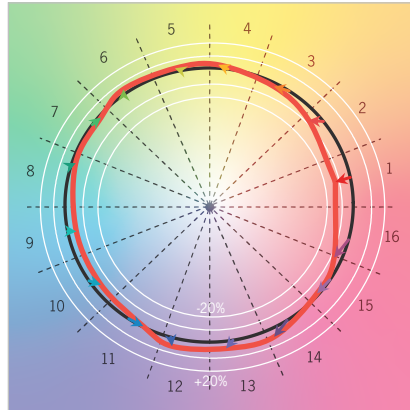
TM-30 DATA: R6NC630K12D / C6322M-CLR

ANSI/IES TM-30-18 Color Rendition Report Test No. S21072002

Colors are for visual orientation purposes only

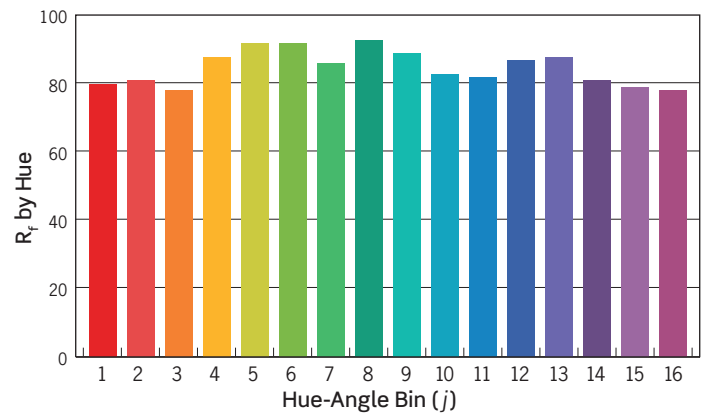
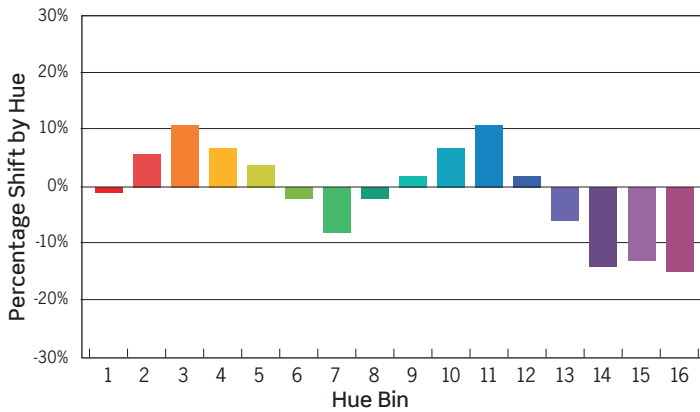
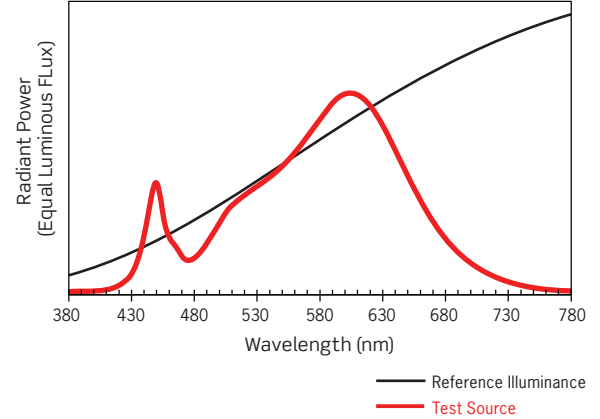
R_f	86
R_g	97
CCT(K)	3065K
D_{uv}	0.0017
u^I	0.2477
v^I	0.5224

Color Vector Graphic



— Reference Illuminance — Test Source

Spectral Power Distribution Comparison



HUE BIN	1	2	3	4	5	6	7	8	9	10	11	12	13	14	15	16
HUE SHIFT	-1%	6%	11%	7%	4%	-2%	-8%	-2%	1%	7%	11%	2%	-6%	-14%	-13%	-15%
R _f VALUE	81	82	79	88	93	93	87	94	91	85	83	88	89	82	80	80

DATE

PROJECT

TYPE

R6 SERIES | 6-Inch Round Downlights: Dimming Specifications

- Incandescent 120V AC Dimmers adjust the light with *Forward Phase Control*, where the Dimmer “chops” the forward part of the AC Wave to deliver less or more power to the light source. No Neutral Wire Connection required.
- Electronic Low Voltage 120V AC Dimmers adjust the light with *Reverse Phase Control*, where the Dimmer “chops” the back part of the AC Wave to deliver less or more power to the light source. Neutral Wire Connection required.
- 0–10V DC Low Voltage Dimmers operate using two (2) Low Voltage Dimming Wires that are separate from the 120V or 277V AC Power. The Dimmer sends a Variable Output Voltage to the luminaire based upon the dimming level. 10V Corresponds to undimmed operation, 5V to 50% and so on. Switching On/Off is controlled with the Line Voltage Power Input to the Dimmer (120V or 277V AC). Dimming operation is controlled with the 0–10V DC Low Voltage Wiring Connection between the Dimmer and the LED Driver. The Control Signal runs on two (2) low voltage control wires color coded Purple and Pink/Gray.
- Lutron EcoSystem Drivers provide continuous dimming from 1%–100%. For a complete list of compatible Dimmers and Controls, visit www.lutron.com
- Use DALI approved Controls for dimming eldoLED ECOdrive, 1% Dimming (Dimming Option MVD7) and eldoLED SOLOdrive, 0.1% Dimming (Dimming Option MVD9)

			TRIAC, ELV, 0-10V* (12D, 27D, MVD)	eldoLED ECOdrive 0-10V (12D6, 27D6, MVD6)	eldoLED SOLOdrive 0-10V (12D8, 27D8, MVD8)
Manufacturer	Product	Model	Light Output	Light Output	Light Output
Leviton	IllumaTech	IPI06-1LZ	1%-100%	N/A	N/A
Leviton	SureSlide	6631-2	1%-100%	N/A	N/A
Leviton	Vizia	VPE06	9%-100%	N/A	N/A
Leviton	Trimatron	6683-IW	6%-100%	N/A	N/A
Leviton	Decora	6161	15%-100%	N/A	N/A
Leviton	SureSlide	6633-P	1%-100%	N/A	N/A
Leviton	IllumaTech	IPE04	6%-100%	N/A	N/A
Leviton	IllumaTech	IP710-DLX	N/A	1%-100%	0.1%-100%
Cooper	Devine	DLC03P	1%-100%	N/A	N/A
Cooper	Skye	SLC03P	0%-100%	N/A	N/A
Cooper	Decorator	DAL06P	0%-100%	N/A	N/A
Pass & Seymour	Titan	CD4FB-W	N/A	1%-100%	0.1%-100%
Synergy		ISD BC	N/A	1%-100%	0.1%-100%
Watt Stopper	Miro Decorator	DCLV1	N/A	1%-100%	0.1%-100%
Lutron	Ariadni	TGCL-153P	1%-100%	N/A	N/A
Lutron	Ariadni	TG-600P	13%-100%	N/A	N/A
Lutron	Diva	DVCL-153P	1%-100%	N/A	N/A
Lutron	Diva	DV600P	6%-100%	N/A	N/A
Lutron	Diva	DVELV303P	6%-100%	N/A	N/A
Lutron	Diva	DVTV	N/A	1%-100%	0.1%-100%
Lutron	Faetra	FAELV500	12%-100%	N/A	N/A
Lutron	Lumea	LG600P	8%-100%	N/A	N/A
Lutron	Maestro	MAELV600	16%-100%	N/A	N/A
Lutron	Nova	NFTV	N/A	1%-100%	0.1%-100%
Lutron	Nova T	NTFTV	N/A	1%-100%	0.1%-100%
Lutron	Skylark	S-603PG	5%-96%	N/A	N/A
Lutron	Skylark	S600P	5%-100%	N/A	N/A
Lutron	Skylark	SELV300P	10%-100%	N/A	N/A
Lutron	Skylark	CT103P	9%-100%	N/A	N/A

*277V TRIAC Dimming is not available

NOTES

1. Testing was performed with a single luminaire connected to Dimmer.
2. Testing has been performed on these Dimmers, but this does not imply any warranty of compatibility.
3. Dimming performance can be influenced by different Loads, as well as variations in Dimmer Switches within the same Model.
4. Dimmer Maximum Load Rating with LED may differ from published Traditional Source Dimmer Ratings. Consult manufacturer for maximum Dimmer information.
5. Consult factory for additional dimming information.