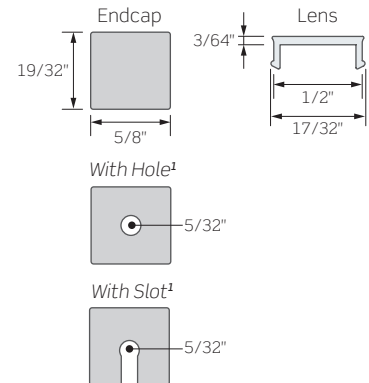
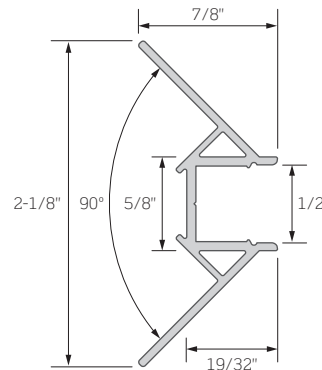
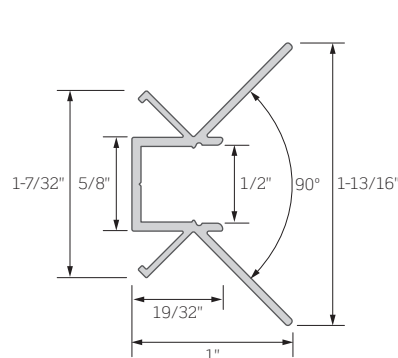
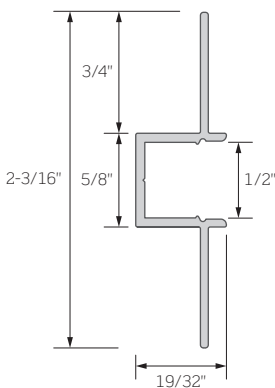
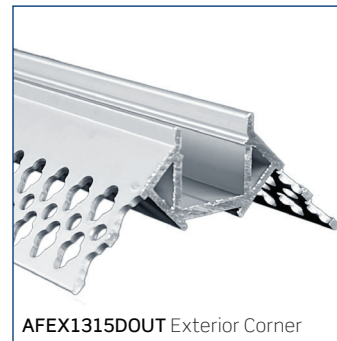
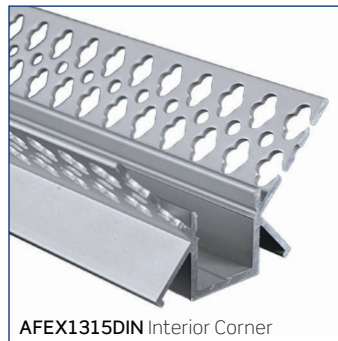
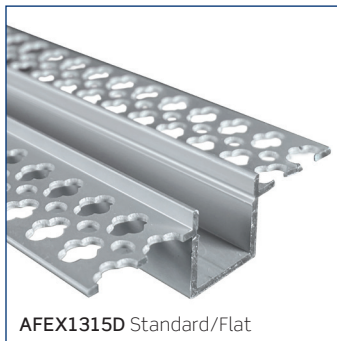


Specflex Architectural Strip Light

**AFEX1315D SERIES** | Mud-In Mounting Channels and Accessories

Mud-In Channels are designed to be installed directly into drywall (1/2-inch thickness or greater) for a seamless, recessed look. The channel wings are covered with tape and mud for a built-in appearance, nearly flush with the surrounding surface. Mud-In Channels are compatible with 10mm (0.39") wide Tape Light Strips. Mounting Channels provide excellent thermal management and heat dissipation for the Tape Light while ensuring a clean, straight run.

- 6-Foot long, high-quality, field cuttable Anodized Satin Aluminum
- ABS Grey Plastic Endcaps seal out any debris
- Endcaps are ordered individually. For the power feed, either drill a hole in the channel for the back feed and use flat Endcaps on both ends, or use Endcaps with Slot or Hole for inline feed when appropriate.
- Frosted Diffusion Lens softens glare and removes pixelation
- All Channels and accessories are Declare Compliant and UV stable
- Channel, Endcaps, and Diffusion Lens are ordered separately



1. End Caps with Hole (ECH) or Slot (ECS) are not compatible with Power Lead Barrel Connectors

**ORDERING INFORMATION**

Mud-In Channel	Length
<b>AFEX1315D</b> Standard/Flat	<b>48</b> 4-Ft. (48-Inches)
<b>AFEX1315DIN</b> Interior Corner	<b>72</b> 6-Ft. (72-Inches)
<b>AFEX1315DOUT</b> Exterior Corner	

Finish
<b>S</b> Anodized Satin Aluminum

Mud-In Channel End Caps and Lens
<b>AFEX1315D-EC</b> Solid End Cap, Grey
<b>AFEX1315D-ECH</b> End Cap with Hole, Grey
<b>AFEX1315D-ECS</b> End Cap with Slot, Grey
<b>AFL1315D72-FR</b> Frosted Diffusion Lens

**COMPATIBLE TAPE LIGHT**

Compatible Tape Light details and ordering information can be found on Page 2. Mud-In Channel Series not compatible with RGB, RGBW, TLT Series, or any Wet Location Tape. Only Universal Screw Tight Connectors are compatible with the Mud-In Channel Series.

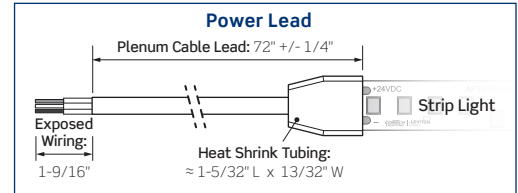
PART NUMBER	DESCRIPTION
<b>AFSS48</b>	MEDIUM DENSITY STATIC WHITE DRY LOCATION
<b>AFSS48-7H</b>	HIGH EFFICACY STATIC WHITE DRY LOCATION
<b>AFSS73</b>	HIGH DENSITY STATIC WHITE DRY LOCATION
<b>AFSSCN</b>	CONTINUOUS COB STATIC WHITE DRY LOCATION
<b>AFSS42</b>	STATIC MONO-COLOR DRY LOCATION

Specflex Architectural Strip Light  
**AFEX1315D SERIES** | Mud-In Mounting Channels and Accessories

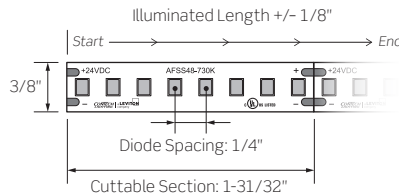
**STRIP LIGHT ORDERING INFORMATION**

Ordering information is for Full Reels. Custom Length ordering information can be found on individual Specflex Strip Light specification sheets.

- Full Reels are available in the Max Run Length for each available Wattage for the specific Strip Light
- Each Reel has a 72-inch (6 Ft.) soldered Lead sheathed in a Plenum Rated Cable at the start of the length; additional Plenum Rated Cable available (ordered separately)
- Reels can be cut in the field to desired length at the indicated cut points



**AFSS48 Medium Density Static White, 48 LEDs/Ft.**

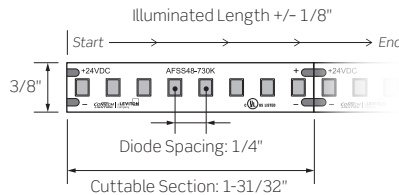


	AFSS48-2	AFSS48-3	AFSS48-5	AFSS48-7
WATTAGE	2W/Ft	3W/Ft	5W/Ft	7W/Ft
LUMEN OUTPUT	247Lm/Ft	364Lm/Ft	580Lm/Ft	777Lm/Ft
CCT/CRI	2700K/3000K/3500K/4000K   95+, R9 >84			

Example Order: AFSS48-535K-R

Wattage/Reel Length	CCT/CRI	Unit
AFSS48-2 2W/Ft   32.8 Ft Reel	95+ CRI	R Full Reel with Power Lead
AFSS48-3 3W/Ft   26.2 Ft Reel	27K 2700K	
AFSS48-5 5W/Ft   21.3 Ft Reel	30K 3000K	
AFSS48-7 7W/Ft   16.4 Ft Reel	35K 3500K 40K 4000K	

**AFSS48-7H High Efficacy Static White, 48 LEDs/Ft.**

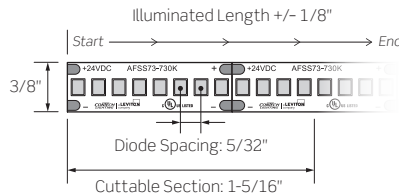


	AFSS48-7H
WATTAGE	7W/Ft
LUMEN OUTPUT	910 Lm/Ft
CCT/CRI	2700K/3000K/3500K/4000K   95+, R9 >84

Example Order: AFSS48-7H35K-R

Wattage/Reel Length	CCT/CRI	Unit
AFSS48-7H 7W/Ft   16.4 Ft Reel	90+ CRI	R Full Reel with Power Lead
	27K 2700K	
	30K 3000K	
	35K 3500K 40K 4000K	

**AFSS73 High Density Static White, 73 LEDs/Ft.**



	AFSS73-3	AFSS73-5	AFSS73-7
WATTAGE	3W/Ft	5W/Ft	7W/Ft
LUMEN OUTPUT	123Lm/Ft	119Lm/Ft	117Lm/Ft
CCT/CRI	2700K/3000K/3500K/4000K   95+, R9 >84		

Example Order: AFSS73-535K-R

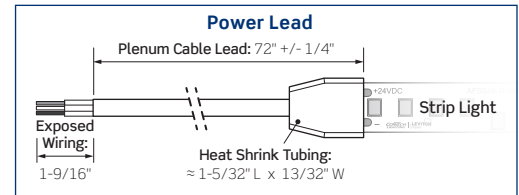
Wattage/Reel Length	CCT/CRI	Unit
AFSS73-3 3W/Ft   26.2 Ft Reel	95+ CRI	R Full Reel with Power Lead
AFSS73-5 5W/Ft   21.3 Ft Reel	27K 2700K	
AFSS73-7 7W/Ft   16.4 Ft Reel	30K 3000K	
	35K 3500K 40K 4000K	

Specflex Architectural Strip Light  
**AFEX1315D SERIES** | Mud-In Mounting Channels and Accessories

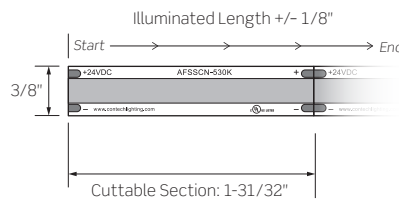
**STRIP LIGHT ORDERING INFORMATION, CONTINUED**

Ordering information is for Full Reels. Custom Length ordering information can be found on individual Specflex Strip Light specification sheets.

- Full Reels are available in the Max Run Length for each available Wattage for the specific Strip Light
- Each Reel has a 72-inch (6 Ft.) soldered Lead sheathed in a Plenum Rated Cable at the start of the length; additional Plenum Rated Cable available (ordered separately)
- Reels can be cut in the field to desired length at the indicated cut points



**AFSSCN Continuous COB Static White**



Example Order: AFSSCN-530K-R

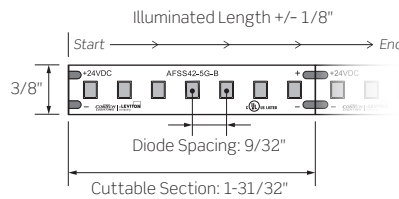
AFSSCN-5	
WATTAGE	4.6W/Ft
LUMEN OUTPUT	432 Lm/Ft
CCT/CRI	2100K/2400K/2700K/3000K/3500K/4000K   90+

Wattage/Reel Length	CCT/CRI	Unit
<b>AFSSCN-5</b> 4.6W/Ft   16.4 Ft Reel	90+ CRI <b>21K</b> 2100K <b>24K</b> 2400K <b>27K</b> 2700K <b>30K</b> 3000K <b>35K</b> 3500K <b>40K</b> 4000K	<b>R</b> Full Reel with Power Lead

**AFSS42 Static Mono-Color, 42 LEDs/Ft.**



Colors appear when strip is illuminated

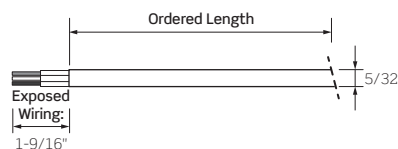


Example Order: AFSS42-5B-R

	AFSS42-5R	AFSS42-5G	AFSS42-5B	AFSS42-5A
WATTAGE	5W/Ft	5W/Ft	5W/Ft	5W/Ft
COLOR	RED	GREEN	BLUE	AMBER
LUMEN OUTPUT	193Lm/Ft	697Lm/Ft	135Lm/Ft	231Lm/Ft
WAVELENGTH	620-625nm	525-535nm	465-470nm	585-590nm

Wattage/Reel Length	Color	Unit
<b>AFSS42-5</b> 5W/Ft   21.3 Ft Reel	<b>R</b> Red <b>G</b> Green <b>B</b> Blue <b>A</b> Amber	<b>R</b> Full Reel with Power Lead

**CMP-2C Plenum Rated Cable**



Example Order: CMP-2C-20

- Bare Copper conductors for excellent conductivity and low voltage drop
- Field cuttable

Plenum Rated Cable	Length
<b>CMP-2C</b> Two Conductor Plenum Rated Cable	<b>10</b> 10-Feet <b>15</b> 15-Feet <b>20</b> 20-Feet <b>30</b> 30-Feet <b>50</b> 50-Feet <b>100</b> 100-Feet

Specflex Architectural Strip Light  
**AFEX1315D SERIES** | Mud-In Mounting Channels and Accessories

**POWER SUPPLY ORDERING INFORMATION**

**TLP24VHW Series**



- Hardwire Constant Voltage Driver
- 120VAC/24VDC
- Includes stripped and tinned wire pigtails on the input and output sides
- 1-Foot Wire Leads
- Class 2 Recognized
- **MUST BE MAINTAINED WITHIN AN ENCLOSURE THAT MEETS LOCAL BUILDING CODES AND NEC (SUPPLIED BY OTHERS)**

Power Supply/Wattage	
<b>TLP24VHW20</b>	20W 120VAC/24VDC 5-3/4" L x 1-1/2" W x 1-1/4" D
<b>TLP24VHW60</b>	60W 120VAC/24VDC 6-1/3" L x 1-3/4" W x 1-1/4" D
<b>TLP24VHW96</b>	96W 120VAC/24VDC 8-3/4" L x 2-2/3" W x 1-1/2" D

**L3D0 Series**



- Hi-lume Premier 0.1% EcoSystem/3-Wire Constant Voltage 24V Driver with Soft-on, Fade-to-Black
- Class 2 Enclosed 96W Constant Voltage Driver
- Universal 120 – 277VAC Input/24VDC Output
- Dimming down to 0.1% with compatible controls
- Output wattage range up to 96W maximum

Power Supply/Wattage	
<b>L3D0-96W24V-U</b>	96W 120-277VAC 5-1/2" W x 2" H x 10-1/2" L

**TLP24VHW MVD Enclosed Series**



- 120-277VAC Input/24VDC Output Class 2 Constant Voltage Enclosed Driver Hardwire Power Supply
- Phase and 0-10V Dimming deliver smooth, flicker free linear dimming down to 1% with most LEDs and a wide variety of compatible dimmers
- Dim-to-Off when used with a 0-10V Dimmer
- No minimum load requirement
- Over voltage, over current, over temperature, and short-circuit protection

Power Supply/Wattage	
<b>TLP24VHW60MVD-ENC</b>	60W 8" L x 3-3/8" W x 1-1/4" D
<b>TLP24VHW100MVD-ENC</b>	96W 8-1/4" L x 4-1/8" W x 1-1/2" D

**TLP24VHW MV/MVD2 Enclosed Series**



- 120 – 277VAC/24VDC Dimming and Non-dimming Hardwire Class 2 Constant Voltage Drivers
- No minimum load requirement
- Enclosure is UL Listed with built-in junction boxes
- 0-10V Dimming driver delivers smooth flicker free linear dimming down to 1% with a wide variety of compatible dimmers
- Auto-reset protection for short circuit and over temperature; over load protection in CC mode

Power Supply/Wattage	
<b>TLP24VHW60MV-ENC</b>	60W Non-Dimming Driver 12-1/8" L x 2-3/8" W x 1-3/8" D
<b>TLP24VHW96MV-ENC</b>	96W Non-Dimming Driver 12-1/8" L x 2-3/8" W x 1-3/8" D
<b>TLP24VHW60MVD2-ENC</b>	60W 0-10V Dimming Driver 12-1/8" L x 2-3/8" W x 1-3/8" D
<b>TLP24VHW96MVD2-ENC</b>	96W 0-10V Dimming Driver 12-1/8" L x 2-3/8" W x 1-3/8" D

**TLP24VP Series**



- 120VAC Input/24VDC Output Plug-In Power Supply
- Includes AC Wall Plug and Female Power Output Barrel Plug for easy installation
- Barrel connectors do not fit through the ECH or ECS endcaps
- Class 2 listed

Power Supply/Wattage	
<b>TLP24VP36</b>	36W 4-1/4" L x 2" W x 1-3/8" H
<b>TLP24VP60</b>	60W 4-1/2" L x 2" W x 1-3/8" H
<b>TLP24VP96</b>	96W 6-1/8" L x 2-3/8" W x 1-1/2" H

Specflex Architectural Strip Light

# AFEX1315D SERIES | Mud-In Mounting Channels and Accessories

## CONTROLLER ORDERING INFORMATION

### TLPRTW Series



- 4-Channel Power Repeater
- Enables synchronized control of multiple runs from one controller
- Use with Non-dimming Drivers
- Not UL Listed for outdoor use

Controller	
<b>TLPRTW</b>	4-Channel Power Repeater 5-5/16" L x 1-3/4" W x 1-1/8" D

### TLPINT Series



- DMX 512 CV Decoder
- Designed to convert Universal DMX 512 Signal to PWM Signal when used with a DMX 512 Console (by others)
- Use with Non-Dimming Strip Light Power Supplies/Drivers
- Not UL listed for outdoor use

Controller	
<b>TLPINT</b>	DMX 512 CV Decoder 6-3/16" L x 3-1/8" W x 1-5/8" D

### TLPRGBRF Series



- Dimming Controller with RF Remote Control
- Pre-programmed functions include: Color Strobe, 3-Channel Color Change, and Gradual Brightness Change
- Includes two (2) programmable presets
- Use with Non-dimming Drivers
- Not UL Listed for outdoor use

Controller	
<b>TLPRGBRF</b>	Dimming Controller with RF Remote Control 8-3/8" L x 1-5/8" W x 1-3/16" D